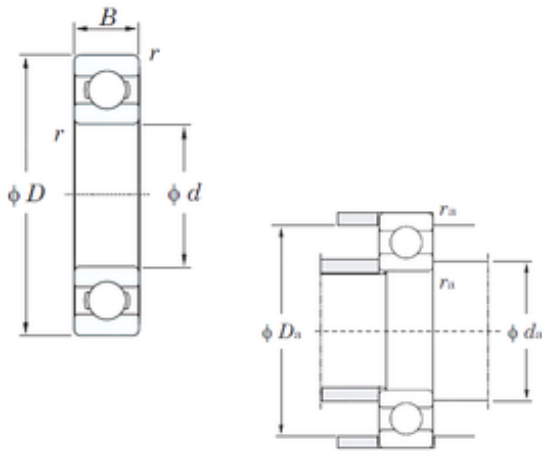




MianKang Bearing Co., Ltd.



25 mm x 62 mm x 17 mm koyo 6305 bearing

Bearing No. 6305

6305 Bearing 2D drawings and 3D CAD models

Size	25x62x17 mm
Bore Diameter	25 mm
Outer Diameter	62 mm
Width	17 mm
d	25 mm
D	62 mm
B	17 mm
C	17 mm
r min.	1,1 mm
da min.	31,5 mm
Da max.	55,5 mm
ra max.	1 mm
Weight	0,232 Kg
Basic dynamic load rating (C)	20,6 kN
Basic static load rating (C0)	11,3 kN
(Grease) Lubrication Speed	11000 r/min
(Oil) Lubrication Speed	13000 r/min
Category	Single Row Ball Bearings
Inventory	0.0
Manufacturer Name	KOYO
Minimum Buy Quantity	N/A
Weight / Kilogram	0.254
Product Group	B00308
Enclosure	Open
Precision Class	ABEC 1 ISO P0
Maximum Capacity / Filling	No



MianKang Bearing Co., Ltd.

Slot	
Rolling Element	Ball Bearing
Snap Ring	No
Internal Special Features	No
Cage Material	Steel
Internal Clearance	C0-Medium
Inch - Metric	Metric
Long Description	25MM Bore; 62MM Outside Diameter; 17MM Outer Race Diameter; Open; Ball Bearing; ABEC 1 ISO P0; No Filling Slot; No Snap Ring; No Internal Special Features
Category	Single Row Ball Bearing
UNSPSC	31171504
Harmonized Tariff Code	8482.10.50.68
Noun	Bearing
Keyword String	Ball
Manufacturer URL	http://www.koyousa.com
Manufacturer Item Number	6305
Weight / LBS	0.56
Outer Race Width	0.669 Inch 17 Millimeter
Outside Diameter	2.441 Inch 62 Millimeter
Bore	0.984 Inch 25 Millimeter
Bearing No.	6305
r(min)	1.1
Cr	25.7
C0r	11.3
Cu	0.860
f0	13.2
Grease lub.	11000
Oil lub.	13000
da(min)	31.5



MianKang Bearing Co., Ltd.

Da(max)	55.5
ra(max)	1
(Refer.)Mass(kg)	0.232