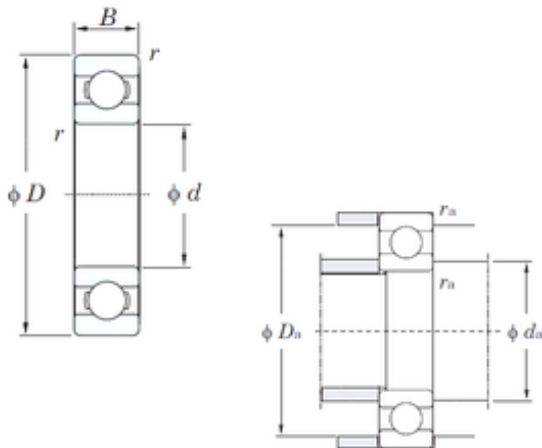




MianKang Bearing Co., Ltd.



15 mm x 35 mm x 11 mm koyo 6202 bearing

Bearing No. 6202

Size	15x35x11 mm
Bore Diameter	15 mm
Outer Diameter	35 mm
Width	11 mm
d	15 mm
D	35 mm
B	11 mm
C	11 mm
r min.	0,6 mm
da min.	19 mm
Da max.	31 mm
ra max.	0,6 mm
Weight	0,045 Kg
Basic dynamic load rating (C)	7,65 kN
Basic static load rating (C0)	3,75 kN
(Grease) Lubrication Speed	20000 r/min
(Oil) Lubrication Speed	24000 r/min
Category	Single Row Ball Bearings
Inventory	0.0
Manufacturer Name	KOYO
Minimum Buy Quantity	N/A
Weight / Kilogram	0.049
Product Group	B00308
Enclosure	Open
Precision Class	ABEC 1 ISO P0
Maximum Capacity / Filling	No

6202 Bearing 2D drawings and 3D CAD models



MianKang Bearing Co., Ltd.

Slot	
Rolling Element	Ball Bearing
Snap Ring	No
Internal Special Features	No
Cage Material	Steel
Internal Clearance	C0-Medium
Inch - Metric	Metric
Long Description	15MM Bore; 35MM Outside Diameter; 11MM Outer Race Diameter; Open; Ball Bearing; ABEC 1 ISO P0; No Filling Slot; No Snap Ring; No Internal Special Features
Category	Single Row Ball Bearing
UNSPSC	31171504
Harmonized Tariff Code	8482.10.50.68
Noun	Bearing
Keyword String	Ball
Manufacturer URL	http://www.koyousa.com
Manufacturer Item Number	6202
Weight / LBS	0.107
Bore	0.591 Inch 15 Millimeter
Outer Race Width	0.433 Inch 11 Millimeter
Outside Diameter	1.378 Inch 35 Millimeter
Bearing No.	6202
r(min)	0.6
Cr	9.55
C0r	3.75
Cu	0.290
f0	13.2
Grease lub.	20000
Oil lub.	24000
da(min)	19



MianKang Bearing Co., Ltd.

Da(max)	31
ra(max)	0.6
(Refer.)Mass(kg)	0.045