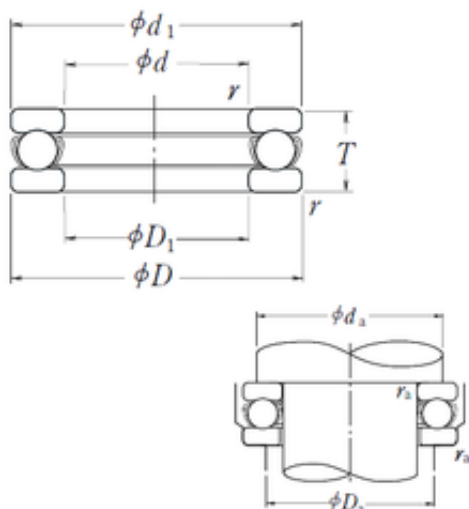




MianKang Bearing Co., Ltd.



nsk 51100 bearing

Bearing No. 51100

Size	10x24x9 mm
Bore Diameter	10 mm
Outer Diameter	24 mm
Width	9 mm
d	10 mm
D	24 mm
T	9 mm
d1	24 mm
r min.	0,3 mm
D1	11 mm
da min.	18 mm
Da max.	16 mm
ra max.	0,3 mm
Weight	0,019 Kg
Basic dynamic load rating (C)	10,1 kN
Basic static load rating (C0)	14 kN
(Grease) Lubrication Speed	6700 r/min
Category	Thrust Ball Bearing
Inventory	0.0
Manufacturer Name	NSK
Minimum Buy Quantity	N/A
Weight / Kilogram	0.02
EAN	0029176026355
Product Group	B00308
Rolling Element	Ball Bearing
Thrust Bearing	Yes

51100 Bearing 2D drawings and 3D CAD models



MianKang Bearing Co., Ltd.

Single or Double Direction	Single Direction
Banded	No
Cage Material	Steel
Precision Class	Non-Precision
Component Description	Roller Assembly Plus Raceways
Other Features	Single Row With Flat Seat
Long Description	10MM Bore 1; 11MM Bore 2; 24MM Outside Diameter; 9MM Height; Ball Bearing; Single Direction; Not Banded; Steel Cage; Non-Precision
Inch - Metric	Metric
Category	Thrust Ball Bearings
UNSPSC	31171552
Harmonized Tariff Code	8482.10.50.08
Noun	Bearing
Keyword String	Ball Thrust
Manufacturer URL	http://www.nskamericas.com
Manufacturer Item Number	51100
Weight / LBS	0.04189
Bore 2	0.433 Inch 11 Millimeter
Height	0.354 Inch 9 Millimeter
Outside Diameter	0.945 Inch 24 Millimeter
Overall Height with Aligning Washer	0 Inch 0 Millimeter
Bore 1	0.394 Inch 10 Millimeter
bore diameter:	10 mm
static load capacity:	1420 kg
outside diameter:	24 mm
dynamic load capacity:	1030 kg
overall width:	9 mm



MianKang Bearing Co., Ltd.

operating temperature range:	Maximum of +120 ° C
thrust bearing type:	Single-Direction
maximum rpm:	10000 RPM
outside diameter design:	Straight
cage material:	Steel
separable or banded:	Separable
fillet radius:	0.3 mm
race type:	Flat
series:	511
precision rating:	ABEC 1 (ISO Class Normal)
SRI	2.6
hidYobi	51100
LangID	1
D_	24
SREX	0.03
C	10.1
B_	9
hidTable	ecat_NSSDTB
Oil rpm	10000
SRE	2.6
mass	0.019
GRS rpm	6700
ra	0.3
SRIX	0.03
D_a	16
SRIN	0
C0	14
SREN	0
D_1	11
Prod_Type3	TB_SD_WFS
da	18



MianKang Bearing Co., Ltd.

DA_	4.762
Z_	10
yobi	51100
SDM_	17
r	0.3
T_	9
KBRG	5111