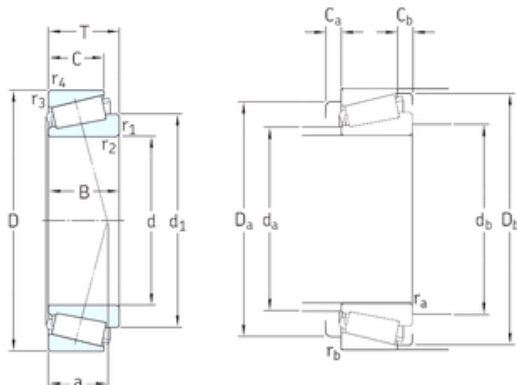




# MianKang Bearing Co., Ltd.



## skf t2ed045 bearing

Bearing No. t2ed045

Size	45x95x36 mm
Bore Diameter	45 mm
Outer Diameter	95 mm
Width	36 mm
d	45 mm
D	95 mm
T	36 mm
B	35 mm
C	30 mm
a	23 mm
d1	68,7 mm
r1 min.	2,5 mm
r2 min.	2,5 mm
r3 min.	2,5 mm
r4 min.	2,5 mm
Ca min.	6 mm
Cb min.	6 mm
da max	55 mm
Da min	80 mm
Da max.	83 mm
db min	56 mm
Db min.	89 mm
ra max.	2,5 mm
rb max.	2,5 mm
Weight	1,2 Kg
Basic dynamic load rating (C)	147 kN

t2ed045 Bearing 2D drawings and 3D CAD models



## MianKang Bearing Co., Ltd.

Basic static load rating (C0)	186 kN
Fatigue load limit (Pu)	20,8
Reference speed	5300 r/min
Limiting speed	8000 r/min
Calculation factor (e)	0,33
Calculation factor (Y)	1,8