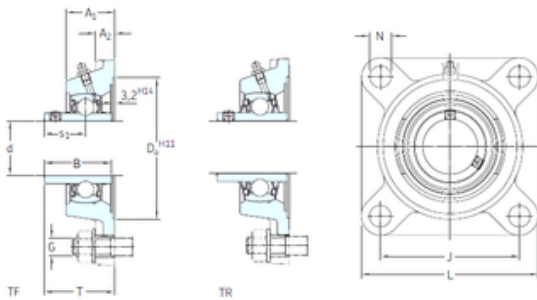




MianKang Bearing Co., Ltd.

skf fy 60 tf bearing

Bearing No. fy 60 tf



fy 60 tf Bearing 2D drawings and 3D CAD models

Bore Diameter	60 mm
d	60 mm
Da	161,9 mm
s1	39,7 mm
A1	52 mm
B	65,1 mm
G	16 mm
J	143 mm
L	175 mm
N	18 mm
T	73,7 mm
A2	17 mm
Weight	4,6 Kg
Basic dynamic load rating (C)	52,7 kN
Basic static load rating (C0)	36 kN
Fatigue load limit (Pu)	1,53
Category	Flange Block Bearings
Inventory	2.0
Manufacturer Name	SKF
Minimum Buy Quantity	N/A
Weight / Kilogram	3.98
EAN	7316577029355
Product Group	M06110
Number of Mounting Holes	4
Mounting Method	Set Screw
Housing Style	4 Bolt Square Flange Block



MianKang Bearing Co., Ltd.

Rolling Element	Ball Bearing
Housing Material	Cast Iron
Expansion / Non-expansion	Non-expansion
Mounting Bolts	16 Millimeter
Relubricatable	Yes
Insert Part Number	YAR 212-2F
Seals	M Seal
Housing Configuration	1 Piece Solid
Pilot Configuration	No Pilot
Inch - Metric	Metric
Long Description	4 Bolt Square Flange Block; 60MM Bore; 202MM Bolt Circle; 143MM Bolt Spacing; 1 Piece Solid; Set Screw Mount; Cast Iron; Ball Bearing; 65.09MM Length Thru Bore; Relubricatable; M Seal Seals
Other Features	Single Row Standard Duty Wide Inner Race Open End Has Flinger Y Bearing
Category	Flange Block
UNSPSC	31171501
Harmonized Tariff Code	8483.20.40.40
Noun	Bearing
Keyword String	Flanged
Manufacturer URL	http://www.skf.com
Manufacturer Item Number	FY 60 TF
Weight / LBS	10.1
Bolt Spacing	5.63 Inch 143 Millimeter
Length Thru Bore	2.563 Inch 65.09 Millimeter
Bore	2.362 Inch 60 Millimeter
Cartridge Pilot Diameter	0 Inch 0 Millimeter



MianKang Bearing Co., Ltd.

Cartridge Pilot Depth	0 Inch 0 Millimeter
Nominal Bolt Circle Diameter Round	8 Inch 202 Millimeter
bore diameter:	60 mm
radial static load capacity:	36 kN
bolt center-to-center length:	143 mm
end type:	Open
overall length/diameter:	175 mm
length through bore:	73.7 mm
bore type:	Round
finish/coating:	Uncoated
mounting type:	Four-Bolt Flange
lubrication type:	Lubrication Fitting
housing material:	Cast Iron
series:	FY
locking device:	Set Screw
replacement bearing:	YAR 212-2F
expansion type:	Non-Expansion Bearing (Fixed)
manufacturer upc number:	7316577029355
radial dynamic load capacity:	52.7 kN
Housing material	Cast iron
D_a	161.9 mm
D_{b1}	130 mm
D_{b2}	143 mm
A	52 mm
A_1	17 mm
A_3	3.2 mm
A_5	35.5 mm
s_1	39.7 mm
R_G	1/4-28 UNF
R_1	34.5 mm



MianKang Bearing Co., Ltd.

D_N	6.5 mm
SW_N	7 mm
G_N	1/4-28 SAE-LT
J_6	161 mm
J_7	49.5 mm
N_4	4 mm
Basic dynamic load rating C	52.7 kN
Basic static load rating C_0	36 kN
Fatigue load limit P_u	1.53 kN
Limiting speed	3400 r/min
Mass bearing unit	3.85 kg
Thread grub screw G_2	M10x1
Hexagonal key size for grub screw N	5 mm
Recommended tightening torque for grub screw	16.5 N · m
Recommended diameter for attachment bolts, mm G	16 mm
Recommended diameter for attachment bolts, inch G	0.625 in