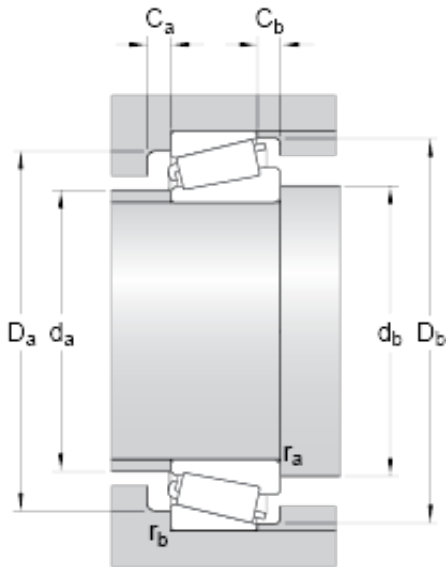




# MianKang Bearing Co., Ltd.



33109 Bearing 2D drawings and 3D CAD models

## skf 33109 bearing

Bearing No. 33109

Dimension series	3CE
d	45 mm
D	80 mm
T	26 mm
d <sub>1</sub>	63.05 mm
B	26 mm
C	20.5 mm
r <sub>1,2</sub> min.	1.5 mm
r <sub>3,4</sub> min.	1.5 mm
a	18.991 mm
d <sub>a</sub> max.	52 mm
d <sub>b</sub> min.	53.5 mm
D <sub>a</sub> min.	69 mm
D <sub>a</sub> max.	72.5 mm
D <sub>b</sub> min.	77 mm
C <sub>a</sub> min.	4 mm
C <sub>b</sub> min.	5.5 mm
r <sub>a</sub> max.	1.5 mm
r <sub>b</sub> max.	1.5 mm
Basic dynamic load rating C	104 kN
Basic static load rating C <sub>0</sub>	114 kN
Fatigue load limit P <sub>u</sub>	12.9 kN
Reference speed	6700 r/min
Limiting speed	8000 r/min
Calculation factor e	0.37
Calculation factor Y	1.6



## MianKang Bearing Co., Ltd.

Calculation factor $Y_0$	0.9
Mass bearing	0.55 kg