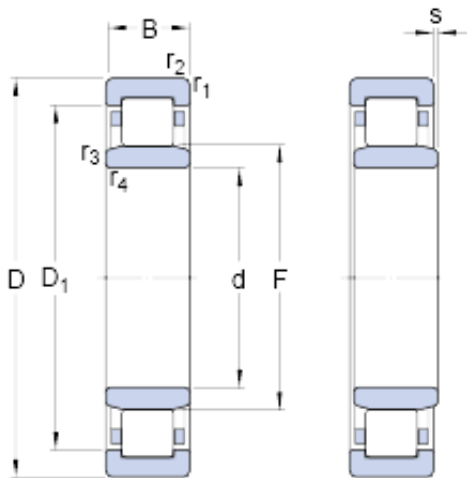




MianKang Bearing Co., Ltd.



skf nu 215 ecp bearing

Bearing No. nu 215 ecp

Size	130x75x25 mm
Bore Diameter	130 mm
Outer Diameter	75 mm
Width	25 mm
d	75 mm
D	130 mm
B	25 mm
D ₁	113.3 mm
F	88.5 mm
r _{1,2} - min.	1.5 mm
r _{3,4} - min.	1.5 mm
s	1.2 mm
d _a - min.	84 mm
d _a - max.	86 mm
d _b - min.	91 mm
D _a - max.	121.5 mm
r _a - max.	1.5 mm
r _b - max.	1.5 mm
Basic dynamic load rating - C	150 kN
Basic static load rating - C ₀	156 kN
Fatigue load limit - P _u	20.4 kN
Reference speed	5600 r/min
Limiting speed	6000 r/min
Calculation factor - k _r	0.15
Category	Cylindrical Roller Bearings

nu 215 ecp Bearing 2D drawings and 3D CAD models



MianKang Bearing Co., Ltd.

Inventory	0.0
Manufacturer Name	SKF
Minimum Buy Quantity	N/A
Weight / Kilogram	1.301
EAN	7316577028594
Product Group	B04144
Bore Profile	Straight
Cage Material	Polymer
Precision Class	RBEC 1 ISO P0
Number of Rows of Rollers	Single Row
Separable	Inner Ring - Both Sides
Rolling Element	Cylindrical Roller Bearing
Profile	Complete with Outer and Inner Ring
Snap Ring	No
Internal Clearance	C0-Medium
Retainer	Yes
Relubricatable	Yes
Inch - Metric	Metric
Other Features	High Capacity Plain Inner Ring 2 Rib Outer Ring Cage on Outer Ring ID
Long Description	75MM Bore; Straight Bore Profile; 130MM Outside Diameter; 25MM Width; Polymer Cage Material; RBEC 1 ISO P0; Single Row; Inner Ring - Both Sides Separable; No Snap Ring; Relubricatable; C0-Medium In
Category	Cylindrical Roller Bearing
UNSPSC	31171547
Harmonized Tariff Code	8482.50.00.00
Noun	Bearing
Manufacturer URL	http://www.skf.com



MianKang Bearing Co., Ltd.

Manufacturer Item Number	NU 215 ECP
Weight / LBS	2.866
Bore	2.953 Inch 75 Millimeter
Outside Diameter	5.118 Inch 130 Millimeter
Width	0.984 Inch 25 Millimeter
bore diameter:	75 mm
precision rating:	RBEC 1 (ISO Class Normal)
outside diameter:	130 mm
maximum rpm:	6000 RPM
overall width:	25 mm
bearing material:	Steel
flanges:	(2) Outer Ring
cage material:	Polyamide
bore type:	Straight
finish/coating:	Uncoated
number of rows:	1
closure type:	Open
internal clearance:	C0
application:	Piston Type Machines, Rolling Mills, Spindles/Machine Tools
ring separation:	Separable Ring
outer ring width:	25 mm
operating temperature range:	Maximum of +300 ° F
fillet radius:	1.5 mm
dynamic load capacity:	150 kN
series:	NU2
static load capacity:	156 kN
D ₁	113.3 mm
r _{1,2} min.	1.5 mm
r _{3,4} min.	1.5 mm



MianKang Bearing Co., Ltd.

s max.	1.2 mm
d_a min.	84 mm
d_a max.	86 mm
d_b min.	91 mm
D_a max.	121.5 mm
r_a max.	1.5 mm
r_b max.	1.5 mm
Basic dynamic load rating C	150 kN
Basic static load rating C_0	156 kN
Fatigue load limit P_u	20.4 kN
Calculation factor k_r	0.15
Limiting value e	0.2
Axial load factor Y	0.6
Mass bearing	1.24 kg
Angle ring	HJ 215 EC