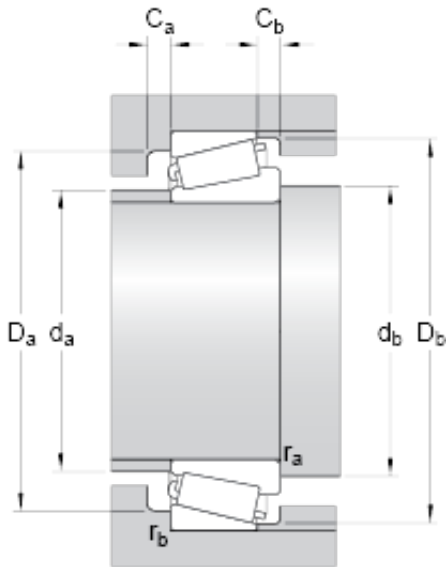




MianKang Bearing Co., Ltd.



31310 Bearing 2D drawings and 3D CAD models

skf 31310 bearing

Bearing No. 31310

Dimension series	7FB
d	50 mm
D	110 mm
T	29.25 mm
d ₁	81.5 mm
B	27 mm
C	19 mm
r _{1,2} min.	2.5 mm
r _{3,4} min.	2 mm
a	33.669 mm
d _a max.	63 mm
d _b min.	61 mm
D _a min.	87 mm
D _a max.	101 mm
D _b min.	104 mm
C _a min.	4 mm
C _b min.	10 mm
r _a max.	2.5 mm
r _b max.	2 mm
Basic dynamic load rating C	131 kN
Basic static load rating C ₀	120 kN
Fatigue load limit P _u	14.3 kN
Reference speed	4500 r/min
Limiting speed	6000 r/min
Calculation factor e	0.83
Calculation factor Y	0.72



MianKang Bearing Co., Ltd.

Calculation factor Y_0	0.4
Mass bearing	1.22 kg