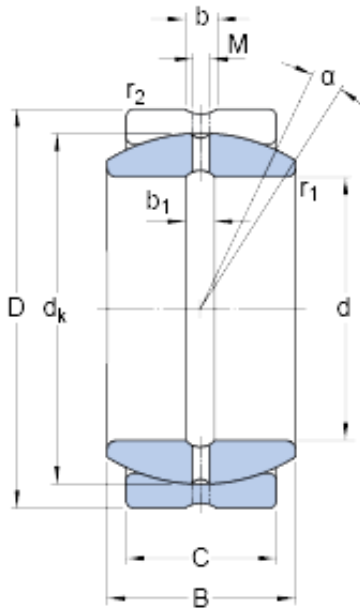




MianKang Bearing Co., Ltd.

skf ge 20 es bearing

Bearing No. ge 20 es



ge 20 es Bearing 2D drawings and 3D CAD models

Size	35x20x16 mm
Bore Diameter	35 mm
Outer Diameter	20 mm
Width	16 mm
d	20 mm
D	35 mm
B	16 mm
C	12 mm
	9 °
d _k	29 mm
b	3.1 mm
b ₁	3.1 mm
M	2 mm
r ₁ - min.	0.3 mm
r ₂ - min.	0.3 mm
d _a - min.	22.1 mm
d _a - max.	24.2 mm
D _a - min.	27.6 mm
D _a - max.	33.2 mm
r _a - max.	0.3 mm
r _b - max.	0.3 mm
Basic dynamic load rating - C	30 kN
Basic static load rating - C ₀	146 kN
Specific factor dinamic load - K	100 N/mm ²



MianKang Bearing Co., Ltd.

Specific factor static load - K_0	500 N/mm ²
Constant - K_M	330
Size	20x35x16 mm
Bore Diameter	20 mm
Outer Diameter	35 mm
Width	16 mm
d	20 mm
D	35 mm
B	16 mm
C	12 mm
	9 °
d_k	29 mm
b	3.1 mm
b_1	3.1 mm
M	2 mm
r_1 - min.	0.3 mm
r_2 - min.	0.3 mm
d_a - min.	22.1 mm
d_a - max.	24.2 mm
D_a - min.	27.6 mm
D_a - max.	33.2 mm
r_a - max.	0.3 mm
r_b - max.	0.3 mm
Basic dynamic load rating - C	30 kN
Basic static load rating - C_0	146 kN
Specific factor dynamic load - K	100 N/mm ²
Specific factor static load - K_0	500 N/mm ²
Constant - K_M	330



MianKang Bearing Co., Ltd.

Category	Spherical Plain Bearings - Radial
Inventory	0.0
Manufacturer Name	SKF
Minimum Buy Quantity	N/A
Weight / Kilogram	0.068
EAN	7316576609268
Product Group	B04264
Self Aligning	Yes
Rolling Element	Spherical Plain
Material - Outer Member	Steel
Material - Ball	Steel
Material - Liner	Not Applicable
Relubricatable	Yes
Enclosure	Open
Other Features	2 Piece Lubrication Hole and an Annular Groove in Both Rings
Long Description	20MM Bore; 12MM Housing Width; 35MM Outside Diameter; Spherical Plain; Steel Outer Member; Steel Ball; No Liner; 16MM Overall Width; Relubricatable
Inch - Metric	Metric
Category	Plain Bearings Spherical Radial
UNSPSC	31171515
Harmonized Tariff Code	8483.30.80.70
Noun	Bearing
Keyword 3	Spherical
Keyword String	Plain Spherical Radial
Manufacturer URL	http://www.skf.com
Manufacturer Item Number	GE 20 ES



MianKang Bearing Co., Ltd.

Weight / LBS	0.143
Housing Width	0.472 Inch 12 Millimeter
Overall Width	0.63 Inch 16 Millimeter
Bore	0.787 Inch 20 Millimeter
Outside Diameter	1.378 Inch 35 Millimeter
bore diameter:	20 mm
inner ring material:	Chrome Steel
outside diameter:	35 mm
outer ring width:	12 mm
misalignment angle:	9 °
grade:	Commercial/Industrial
inner ring width:	16 mm
overall width:	16 mm
bearing type:	Radial
radial static load capacity:	146 kN
lubrication type:	Requires Lubrication
radial dynamic load capacity:	30 kN
closure type:	Open
operating temperature range:	-50 to +200 ° C ° F
outer ring material:	Chrome Steel
manufacturer upc number:	7316576609268
Lubricant	Regular relubrication – grease
Design (sliding contact surface combination)	Steel/steel
Sealing solution	-
	9 °
d _k	29 mm
b ₁	3.1 mm
r ₁ min.	0.3 mm
r ₂ min.	0.3 mm



MianKang Bearing Co., Ltd.

d_a min.	22.1 mm
d_a max.	24.2 mm
D_a min.	27.6 mm
D_a max.	33.2 mm
r_a max.	0.3 mm
r_b max.	0.3 mm
Basic dynamic load rating C	30 kN
Basic static load rating C_0	146 kN
Specific dynamic load factor K	100 N/mm ²
Specific static load factor K_0	500 N/mm ²
Material constant K_M	330
Mass plain bearing	0.065 kg