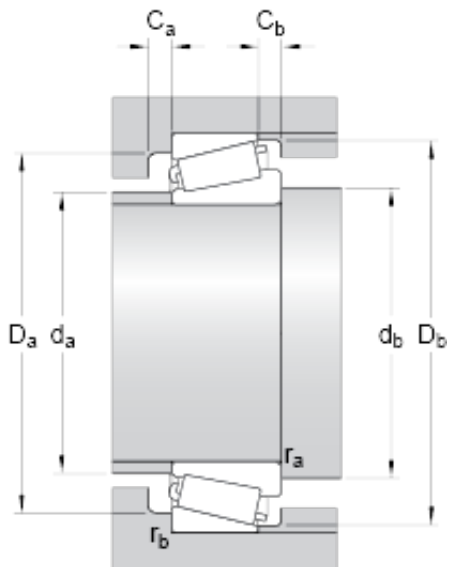




MianKang Bearing Co., Ltd.



skf 33108 bearing

Bearing No. 33108

33108 Bearing 2D drawings and 3D CAD models

Dimension series	2CE
d	40 mm
D	75 mm
T	26 mm
d ₁	57.5 mm
B	26 mm
C	20.5 mm
r _{1,2} min.	1.5 mm
r _{3,4} min.	1.5 mm
a	17.877 mm
d _a max.	47 mm
d _b min.	48.5 mm
D _a min.	65 mm
D _a max.	67.5 mm
D _b min.	71 mm
C _a min.	4 mm
C _b min.	5.5 mm
r _a max.	1.5 mm
r _b max.	1.5 mm
Basic dynamic load rating C	97.5 kN
Basic static load rating C ₀	104 kN
Fatigue load limit P _u	11.4 kN
Reference speed	7000 r/min
Limiting speed	9000 r/min
Calculation factor e	0.35
Calculation factor Y	1.7



MianKang Bearing Co., Ltd.

Calculation factor Y_0	0.9
Mass bearing	0.5 kg